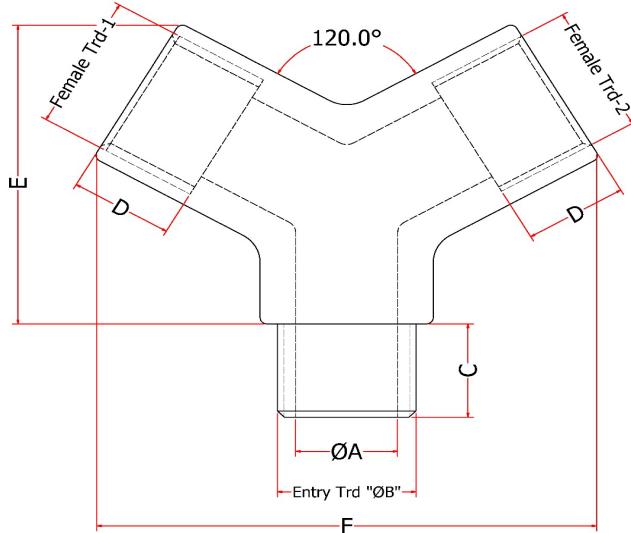
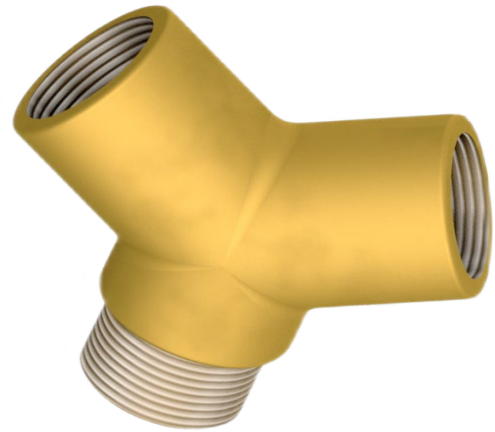


Dual Entry 'Y' Adaptor/Reducers For Cable Glands

- Provides an opportunity for two entries.
- As Standard one male & two female entries.
- Protects cables from excessive bending stress.
- Available Material :Brass,Nickel Plated Brass



Y Adaptor -Equal

CODE	SIZE	BORE DIM. "A"	ENTRY THREAD "B"	FEMALE TRD-1	FEMALE TRD-2	MALE THREAD LENGTH "C"	FEMALE THREAD LENGTH "D"	PROTRUSION LENGTH "E"	PROTRUSION LENGTH "F"
SBI-YADP-1M	M20	15	M20	M20X1.5	M20X1.5	15	15	46	70
SBI-YADP-2M	M25	19	M25	M25X1.5	M25X1.5	15	15	50	75
SBI-YADP-3M	M32	26	M32	M32X1.5	M32X1.5	15	15	61	88.5
SBI-YADP-1N	1/2"NPT	15	1/2"NPT	1/2"NPT	1/2"NPT	18	18	41	70
SBI-YADP-2N	3/4"NPT	19	3/4"NPT	3/4"NPT	3/4"NPT	18	18	46	74.8
SBI-YADP-3N	1"NPT	26	1"NPT	1"NPT	1"NPT	22	22	53	88.5

Y Reducer

CODE	SIZE	BORE DIM. "A"	ENTRY THREAD "B"	FEMALE TRD-1	FEMALE TRD-2	MALE THREAD LENGTH "C"	FEMALE THREAD LENGTH "D"	PROTRUSION LENGTH "E"	PROTRUSION LENGTH "F"
SBI-YRED-100M	M20	15	M20	M16X1.5	M16X1.5	15	15	46	70
SBI-YRED-200M	M25	19	M25	M16X1.5	M16X1.5	15	15	50	75
SBI-YRED-211M	M25	19	M25	M20X1.5	M20X1.5	15	15	50	75
SBI-YRED-311M	M32	26	M32	M20X1.5	M20X1.5	15	15	61	88.5
SBI-YRED-322M	M32	26	M32	M25X1.5	M25X1.5	15	15	61	88.5
SBI-YRED-211N	3/4"NPT	19	3/4"NPT	1/2"NPT	1/2"NPT	18	18	46	74.8
SBI-YRED-311N	1"NPT	26	1"NPT	1/2"NPT	1/2"NPT	22	18	53	88.5
SBI-YRED-322N	1"NPT	26	1"NPT	3/4"NPT	3/4"NPT	22	18	53	88.5

Y Thread Converter (ISO Metric to NPT)

CODE	SIZE	BORE DIM. "A"	ENTRY THREAD "B"	FEMALE TRD-1	FEMALE TRD-2	MALE THREAD LENGTH "C"	FEMALE THREAD LENGTH "D"	PROTRUSION LENGTH "E"	PROTRUSION LENGTH "F"
SBI-YMN-1M11N	M20	15	M20	1/2"NPT	1/2"NPT	15	18	46	70
SBI-YMN-2M11N	M25	19	M25	1/2"NPT	1/2"NPT	15	18	50	75
SBI-YMN-2M22N	M25	19	M25	3/4"NPT	3/4"NPT	15	18	50	75
SBI-YMN-3M11N	M32	26	M32	1/2"NPT	1/2"NPT	15	18	61	88.5
SBI-YMN-3M22N	M32	26	M32	3/4"NPT	3/4"NPT	15	18	61	88.5
SBI-YMN-3M33N	M32	26	M32	1"NPT	1"NPT	15	22	61	88.5

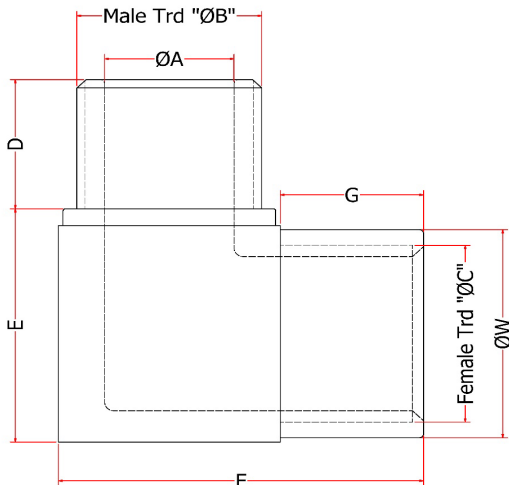
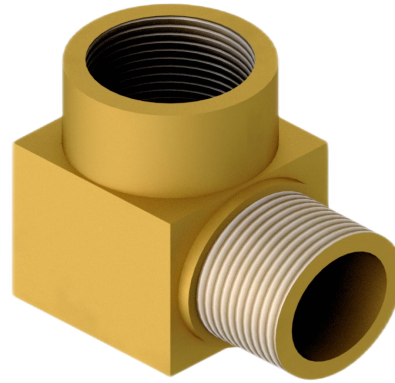
Y Thread Converter (NPT to ISO Metric)

CODE	SIZE	BORE DIM. "A"	ENTRY THREAD "B"	FEMALE TRD-1	FEMALE TRD-2	MALE THREAD LENGTH "C"	FEMALE THREAD LENGTH "D"	PROTRUSION LENGTH "E"	PROTRUSION LENGTH "F"
SBI-YNM-1N11M	1/2"NPT	15	1/2"NPT	M20X1.5	M20X1.5	18	15	41	70
SBI-YNM-2N11M	3/4"NPT	19	3/4"NPT	M20X1.5	M20X1.5	18	15	46	74.8
SBI-YNM-2N22M	3/4"NPT	19	3/4"NPT	M25X1.5	M25X1.5	18	15	46	74.8
SBI-YNM-3N11M	1"NPT	26	1"NPT	M20X1.5	M20X1.5	22	15	53	88.5
SBI-YNM-3N22M	1"NPT	26	1"NPT	M25X1.5	M25X1.5	22	15	53	88.5
SBI-YNM-3N33M	1"NPT	26	1"NPT	M32X1.5	M32X1.5	22	15	53	88.5

*All Dimensions are in Millimeters(mm)

90° ADAPTOR/REDUCERS

- Protects cables from excessive bending stress
- General purpose / industrial version available
- Supplied with male or female threads
- Can be supplied with thread conversions
- Equipment interface 'O' ring seal available
- Available Material :Brass,Nickel Plated Brass



90° ADAPTOR -EQUAL

CODE	SIZE	MALE TRD "B"	TRD LENGTH "D"	BORE DIM. "A"	FEMALE TRD SIZE "C"	FEMALE TRD LENGTH "G"	WIDTH "W"	PROTRUSION LENGTH "E"	PROTRUSION LENGTH "F"
SBI-90ADP-1M	M20	M20X1.5	15	15	M20X1.5	15	25	39.5	39.6
SBI-90ADP-2M	M25	M25X1.5	15	19	M25X1.5	15	30	45	45.85
SBI-90ADP-3M	M32	M32X1.5	15	26	M32X1.5	15	37	52	52.75
SBI-90ADP-1N	1/2"NPT	1/2"NPT	18	15	1/2"NPT	18	25	36	40
SBI-90ADP-2N	3/4"NPT	3/4"NPT	18	19	3/4"NPT	18	30	42.5	45.5
SBI-90ADP-3N	1"NPT	1"NPT	22	26	1"NPT	22	37	45	53

90° REDUCER

CODE	SIZE	MALE TRD "B"	TRD LENGTH "D"	BORE DIM. "A"	FEMALE TRD SIZE "C"	FEMALE TRD LENGTH "G"	WIDTH "W"	PROTRUSION LENGTH "E"	PROTRUSION LENGTH "F"
SBI-90RED-10M	M20	M20X1.5	15	15	M16X1.5	15	25	39.5	39.6
SBI-90RED-20M	M25	M25X1.5	15	19	M16X1.5	15	30	45	45.85
SBI-90RED-21M	M25	M25X1.5	15	19	M20X1.5	15	30	45	45.85
SBI-90RED-31M	M32	M32X1.5	15	26	M20X1.5	15	37	52	52.75
SBI-90RED-32M	M32	M32X1.5	15	26	M25X1.5	15	37	52	52.75
SBI-90RED-21N	3/4"NPT	3/4"NPT	18	19	1/2"NPT	18	30	42.5	45.5
SBI-90RED-31N	1"NPT	1"NPT	22	26	1/2"NPT	18	37	45	53
SBI-90RED-32N	1"NPT	1"NPT	22	26	3/4"NPT	18	37	45	53

90° Thread Converter (ISO Metric to NPT)

CODE	SIZE	MALE TRD "B"	TRD LENGTH "D"	BORE DIM. "A"	FEMALE TRD SIZE "C"	FEMALE TRD LENGTH "G"	WIDTH "W"	PROTRUSION LENGTH "E"	PROTRUSION LENGTH "F"
SBI-90MN-1M1N	M20	M20X1.5	15	15	1/2"NPT	18	25	39.5	39.6
SBI-90MN-2M1N	M25	M25X1.5	15	19	1/2"NPT	18	30	45	45.85
SBI-90MN-2M2N	M25	M25X1.5	15	19	3/4"NPT	18	30	45	45.85
SBI-90MN-3M1N	M32	M32X1.5	15	26	1/2"NPT	22	37	52	52.75
SBI-90MN-3M2N	M32	M32X1.5	15	26	3/4"NPT	22	37	52	52.75
SBI-90MN-3M3N	M32	M32X1.5	15	26	1"NPT	22	37	52	52.75

90° Thread Converter (NPT to ISO Metric)

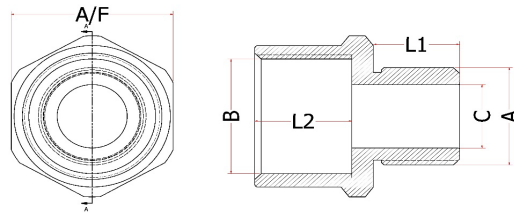
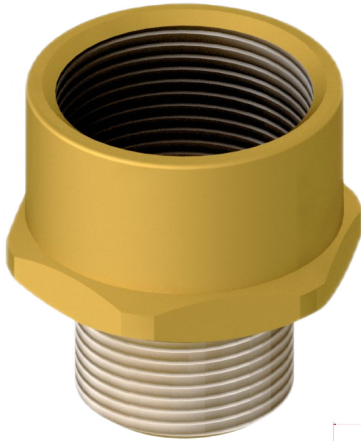
CODE	SIZE	MALE TRD "B"	TRD LENGTH "D"	BORE DIM. "A"	FEMALE TRD SIZE "C"	FEMALE TRD LENGTH "G"	WIDTH "W"	PROTRUSION LENGTH "E"	PROTRUSION LENGTH "F"
SBI-90NM-1N1M	1/2"NPT	1/2"NPT	18	15	M20X1.5	15	25	36	40
SBI-90NM-2N1M	3/4"NPT	3/4"NPT	18	19	M20X1.5	15	30	42.5	45.5
SBI-90NM-2N2M	3/4"NPT	3/4"NPT	18	19	M25X1.5	15	30	42.5	45.5
SBI-90NM-3N1M	1"NPT	1"NPT	22	26	M20X1.5	15	37	45	53
SBI-90NM-3N2M	1"NPT	1"NPT	22	26	M25X1.5	15	37	45	53
SBI-90NM-3N3M	1"NPT	1"NPT	22	26	M32X1.5	15	37	45	53

*All Dimensions are in Millimeters(mm)

VISIT US AT WWW.SARDARBRASS.IN

Adaptor for Cable Glands -Metric Thread

Material BRASS BS 2874 , CZ121 PB3 ,SS304 -SS316L
 Finished Nickel Plated in Brass,Natural Brass,Electropolished in Steel,Natural Steel



METRIC TO METRIC ADAPTOR

CODE	MALE TRD	FEMALE TRD	TRD LENGTH		C	A/F
	A	B	L1	L2		
SBI-ADP-00M1M	M16	M20	15	15	9	25
SBI-ADP-00M2M	M16	M25	15	15	9	30
SBI-ADP-1M2M	M20	M25	15	15	13	30
SBI-ADP-1M3M	M20	M32	15	15	13	36
SBI-ADP-2M3M	M25	M32	15	15	18	36
SBI-ADP-2M4M	M25	M40	15	15	18	45
SBI-ADP-2M5M	M25	M50	15	15	18	55
SBI-ADP-3M4M	M32	M40	15	15	24	45
SBI-ADP-3M5M	M32	M50	15	15	24	55
SBI-ADP-4M5M	M40	M50	15	15	30	55
SBI-ADP-4M6M	M40	M63	15	15	30	68
SBI-ADP-4M7M	M40	M75	15	15	30	80
SBI-ADP-5M6M	M50	M63	15	15	36	68
SBI-ADP-5M7M	M50	M75	15	15	36	80
SBI-ADP-6M7M	M63	M75	15	15	46	80
SBI-ADP-6M8M	M63	M90	15	15	46	95
SBI-ADP-7M8M	M75	M90	15	15	58	95
SBI-ADP-7M9M	M75	M100	15	15	58	105

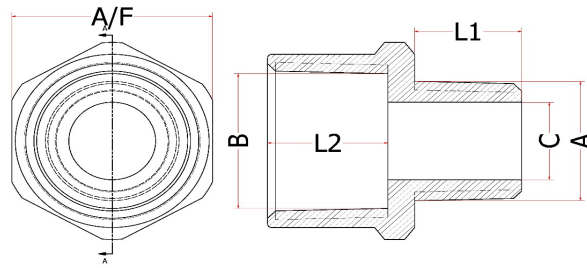
METRIC TO NPT ADAPTOR

CODE	MALE TRD	FEMALE TRD	TRD LENGTH		C	A/F
	A	B	L1	L2		
SBI-ADP-00M00M	M16	3/8"	15	16	9	20
SBI-ADP-00M1N	M16	1/2"	15	18	9	25
SBI-ADP-00M2N	M16	3/4"	15	18	9	30
SBI-ADP-1M1N	M20	1/2"	15	18	13	25
SBI-ADP-1M2N	M20	3/4"	15	18	13	30
SBI-ADP-1M3N	M20	1"	15	22	13	36
SBI-ADP-2M2N	M25	3/4"	15	18	18	30
SBI-ADP-2M3N	M25	1"	15	22	18	36
SBI-ADP-2M4N	M25	1.1/4"	15	22	18	45
SBI-ADP-3M3N	M32	1"	15	22	24	36
SBI-ADP-3M4N	M32	1.1/4"	15	22	24	45
SBI-ADP-3M5N	M32	1.1/2"	15	22	24	55
SBI-ADP-4M4N	M40	1.1/4"	15	22	30	45
SBI-ADP-4M5N	M40	1.1/2"	15	22	30	55
SBI-ADP-4M6N	M40	2"	15	22	30	65
SBI-ADP-5M5N	M50	1.1/2"	15	22	36	55
SBI-ADP-5M6N	M50	2"	15	22	36	65
SBI-ADP-5M7N	M50	2.1/2"	15	28	36	75
SBI-ADP-6M6N	M63	2"	15	22	46	65
SBI-ADP-6M7N	M63	2.1/2"	15	28	46	75
SBI-ADP-6M8N	M63	3"	15	28	46	90
SBI-ADP-7M7N	M75	2.1/2"	15	28	58	75
SBI-ADP-7M8N	M75	3"	15	28	58	90
SBI-ADP-7M9N	M75	4"	15	28	58	115
SBI-ADP-8M8N	M90	3"	15	28	75	90
SBI-ADP-8M9N	M90	4"	15	28	75	115

*All Dimensions are in Millimeters(mm)
 *Specific size will be provided on request

Adaptor for Cable Glands -NPT Thread

Material BRASS BS 2874 , CZ121 PB3 ,SS304 -SS316L
 Finished Nickel Plated in Brass,Natural Brass,Electropolished in Steel,Natural Steel



NPT TO NPT ADAPTOR

CODE	MALE TRD	FEMALE TRD	TRD LENGTH		C	A/F
	A	B	L1	L2		
SBI-ADP-0N1N	3/8"	1/2"	15	18	9	25
SBI-ADP-0N2N	3/8"	3/4"	15	18	9	30
SBI-ADP-1N2N	1/2"	3/4"	18	18	13	30
SBI-ADP-2N3N	3/4"	1"	18	22	18	36
SBI-ADP-3N4N	1"	1.1/4"	22	22	24	45
SBI-ADP-3N5N	1"	1.1/2"	22	22	24	50
SBI-ADP-4N5N	1.1/4"	1.1/2"	22	22	30	50
SBI-ADP-4N6N	1.1/4"	2"	22	22	30	65
SBI-ADP-5N6N	1.1/2"	2"	24	22	36	65
SBI-ADP-5N7N	1.1/2"	2.1/2"	24	22	36	75
SBI-ADP-6N7N	2"	2.1/2"	24	22	46	75
SBI-ADP-6N8N	2"	3"	24	22	46	90
SBI-ADP-7N8N	2.1/2"	3"	28	28	58	90
SBI-ADP-7N9N	2.1/2"	4"	28	28	58	115
SBI-ADP-8N9N	3"	4"	28	28	70	115

NPT TO METRIC ADAPTOR

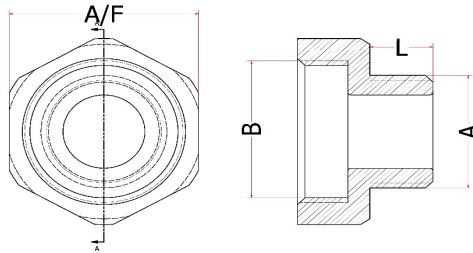
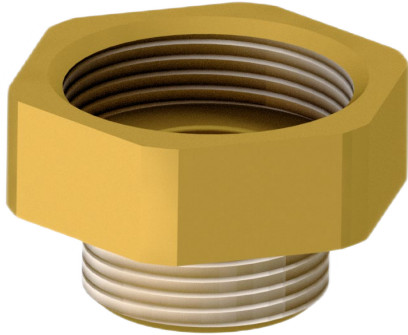
CODE	MALE TRD	FEMALE TRD	TRD LENGTH		C	A/F
	A	B	L1	L2		
SBI-ADP-00N00M	3/8"	M16	15	15	9	25
SBI-ADP-00N1M	3/8"	M20	15	15	9	25
SBI-ADP-1N1M	1/2"	M20	18	15	13	25
SBI-ADP-1N2M	1/2"	M25	18	15	13	30
SBI-ADP-1N3M	1/2"	M32	18	15	13	36
SBI-ADP-2N2M	3/4"	M25	18	15	18	30
SBI-ADP-2N3M	3/4"	M32	18	15	18	36
SBI-ADP-2N4M	3/4"	M40	18	15	18	45
SBI-ADP-3N3M	1"	M32	22	15	24	36
SBI-ADP-3N4M	1"	M40	22	15	24	45
SBI-ADP-3N5M	1"	M50	22	15	24	55
SBI-ADP-4N4M	1.1/4"	M40	22	15	30	45
SBI-ADP-4N5M	1.1/4"	M50	22	15	30	55
SBI-ADP-4N6M	1.1/4"	M63	22	15	30	68
SBI-ADP-5N5M	1.1/2"	M50	22	15	36	55
SBI-ADP-5N6M	1.1/2"	M63	22	15	36	68
SBI-ADP-5N7M	1.1/2"	M75	22	15	36	80
SBI-ADP-6N6M	2"	M63	22	15	46	68
SBI-ADP-6N7M	2"	M75	22	15	46	80
SBI-ADP-6N8M	2"	M90	22	15	46	95
SBI-ADP-7N7M	2.1/2"	M75	28	15	58	80
SBI-ADP-7N8M	2.1/2"	M90	28	15	58	95
SBI-ADP-7N9M	2.1/2"	M100	28	15	58	105
SBI-ADP-8N8M	3"	M90	28	15	70	95
SBI-ADP-8N9M	3"	M100	28	15	70	105
SBI-ADP-9N9M	4"	M100	28	15	80	120

*All Dimensions are in Millimeters(mm)
 *Specific size will be provided on request

Adaptor for Cable Glands -Light Weight

Material BRASS BS 2874 , CZ121 PB3 ,SS304 -SS316L

Finished Nickel Plated in Brass,Natural Brass,Electropolished in Steel,Natural Steel



PG TO PG HEX ADAPTOR

CODE	MALE TRD	FEMALE TRD	TRD LENGTH	A/F
	A	B	L	
SBI-ADPL-1P1	PG 7	PG 9	8	18
SBI-ADPL-2P1	PG 9	PG 11	8	22
SBI-ADPL-2P2	PG 9	PG 13.5	8	24
SBI-ADPL-3P1	PG 11	PG 13.5	8	24
SBI-ADPL-3P2	PG 11	PG 16	8	24
SBI-ADPL-3P3	PG 11	PG 21	8	32
SBI-ADPL-4P1	PG 13	PG 16	8	24
SBI-ADPL-4P2	PG 13	PG 21	8	32
SBI-ADPL-5P1	PG 16	PG 21	8	32
SBI-ADPL-5P2	PG 16	PG 29	8	40
SBI-ADPL-6P1	PG 21	PG 29	8	40
SBI-ADPL-7P1	PG 29	PG 36	10	50
SBI-ADPL-8P1	PG 36	PG 42	12	60
SBI-ADPL-8P2	PG 36	PG 48	12	64

METRIC TO METRIC HEX ADAPTOR

CODE	MALE TRD	FEMALE TRD	TRD LENGTH	A/F
	A	B	L	
SBI-ADPL-1M1	M6x1	M10x1.5	5	13
SBI-ADPL-2M1	M8x1.25	M10x1.5	5	13
SBI-ADPL-2M2	M8x1.25	M12x1.5	5	15
SBI-ADPL-3M1	M10x1.5	M12x1.5	5	15
SBI-ADPL-3M2	M10x1.5	M16x1.5	5	18
SBI-ADPL-4M1	M12x1.5	M16x1.5	5	18
SBI-ADPL-4M2	M12x1.5	M20x1.5	5	24
SBI-ADPL-5M1	M16x1.5	M20x1.5	5	24
SBI-ADPL-6M1	M20x1.5	M25x1.5	5	30
SBI-ADPL-7M1	M25x1.5	M32x1.5	7	36
SBI-ADPL-8M1	M32x1.5	M40x1.5	8	46
SBI-ADPL-9M1	M40x1.5	M50x1.5	8	55
SBI-ADPL-10M1	M50x1.5	M63x1.5	9	70
SBI-ADPL-11M1	M63x1.5	M75x1.5	10	80

PG TO METRIC HEX ADAPTOR

CODE	MALE TRD	FEMALE TRD	TRD LENGTH	A/F
	A	B	L	
SBI-ADPL-1PM1	PG 7	M12x1.5	6	15
SBI-ADPL-1PM2	PG 7	M16x1.5	6	18
SBI-ADPL-2PM1	PG 9	M16x1.5	6	18
SBI-ADPL-2PM2	PG 9	M20x1.5	6	24
SBI-ADPL-3PM1	PG 11	M20x1.5	6	24
SBI-ADPL-3PM2	PG 11	M25x1.5	6	30
SBI-ADPL-4PM1	PG 13.5	M20x1.5	6	24
SBI-ADPL-4PM2	PG 13.5	M25x1.5	6	30
SBI-ADPL-5PM1	PG 16	M25x1.5	6	30
SBI-ADPL-5PM2	PG 16	M32x1.5	6	36
SBI-ADPL-6PM1	PG 21	M32x1.5	7.5	36
SBI-ADPL-6PM2	PG 21	M40x1.5	7.5	46
SBI-ADPL-7PM1	PG 29	M40x1.5	8	46
SBI-ADPL-7PM2	PG 29	M50x1.5	8	55
SBI-ADPL-8PM1	PG 36	M50x1.5	8	55
SBI-ADPL-8PM2	PG 36	M63x1.5	8	70
SBI-ADPL-9PM1	PG 42	M63x1.5	10	70
SBI-ADPL-9PM2	PG 42	M75x1.5	10	80
SBI-ADPL-10PM1	PG 48	M63x1.5	1	70
SBI-ADPL-10PM2	PG 48	M75x1.5	11	80

METRIC TO PG HEX ADAPTOR

CODE	MALE TRD	FEMALE TRD	TRD LENGTH	A/F
	A	B	L	
SBI-ADPL-1MP1	M10x1.5	PG 7	5	13
SBI-ADPL-1MP2	M10x1.5	PG 9	5	18
SBI-ADPL-2MP1	M12x1.4	PG 9	5	18
SBI-ADPL-3MP1	M16x1.5	PG 11	5	22
SBI-ADPL-4MP1	M20x1.5	PG 13.5	6	24
SBI-ADPL-4MP2	M20x1.5	PG 16	6	24
SBI-ADPL-5MP1	M25x1.5	PG 21	7	32
SBI-ADPL-6MP1	M32x1.5	PG 29	8	40
SBI-ADPL-7MP1	M40x1.5	PG 36	8	50
SBI-ADPL-8MP1	M50x1.5	PG 42	9	60
SBI-ADPL-9MP1	M50x1.5	PG 48	9	64

NPT TO NPT HEX ADAPTOR

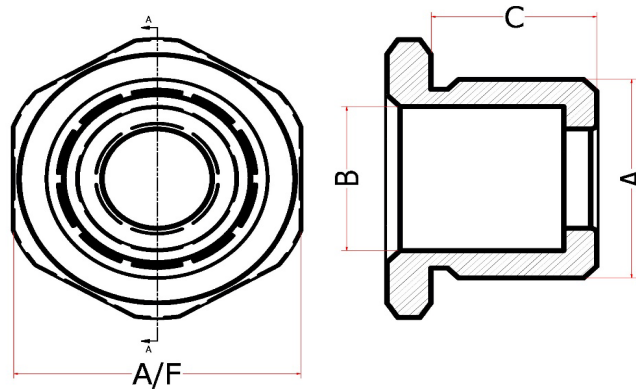
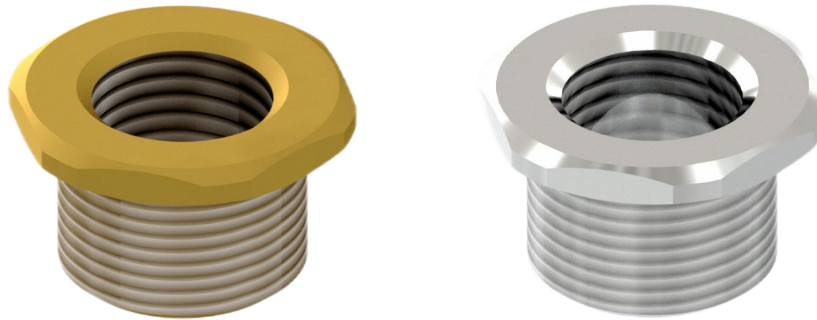
CODE	MALE TRD	FEMALE TRD	TRD LENGTH	A/F
	A	B	L	
SBI-ADPL-1NP1	1/2"	3/4"	16	30
SBI-ADPL-1NP2	3/4"	1"	16	36
SBI-ADPL-1NP3	1"	1.1/4"	16	46
SBI-ADPL-2NP1	1.1/4"	1.1/2"	18	55

*All Dimensions are in Millimeters(mm)

*Specific size will be provided on request

Reducer for Cable Glands -Metric Thread

Material BRASS BS 2874 , CZ121 PB3 ,SS304 -SS316L
 Finished Nickel Plated in Brass,Natural Brass,Electropolished in Steel,Natural Steel

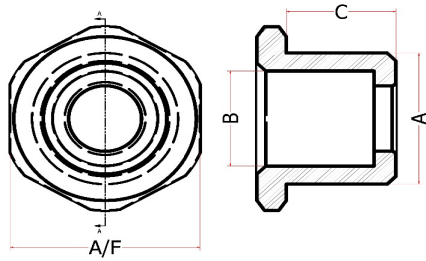
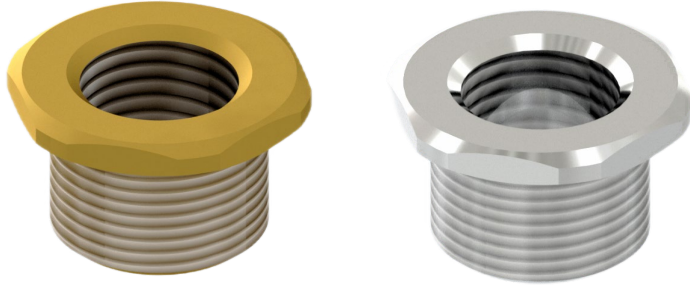


CODE	MALE TRD	FEMALE TRD	THREAD LENGTH	A/F
	A	B	C	
SBI-RDM-1M0M	M20	M16	15	25
SBI-RDM-2M0M	M25	M16	15	30
SBI-RDM-2M1M	M25	M20	15	30
SBI-RDM-3M0M	M32	M16	15	36
SBI-RDM-3M1M	M32	M20	15	36
SBI-RDM-3M2M	M32	M25	15	36
SBI-RDM-4M1M	M40	M20	15	45
SBI-RDM-4M2M	M40	M25	15	45
SBI-RDM-4M3M	M40	M32	15	45
SBI-RDM-5M1M	M50	M20	15	55
SBI-RDM-5M2M	M50	M25	15	55
SBI-RDM-5M3M	M50	M32	15	55
SBI-RDM-5M4M	M50	M40	15	55
SBI-RDM-6M2M	M63	M25	15	68
SBI-RDM-6M3M	M63	M32	15	68
SBI-RDM-6M4M	M63	M40	15	68
SBI-RDM-6M5M	M63	M50	15	68
SBI-RDM-7M2M	M75	M25	20	80
SBI-RDM-7M3M	M75	M32	20	80
SBI-RDM-7M4M	M75	M40	20	80
SBI-RDM-7M5M	M75	M50	20	80
SBI-RDM-7M6M	M75	M63	20	80
SBI-RDM-8M3M	M90	M32	20	95
SBI-RDM-8M4M	M90	M40	20	95
SBI-RDM-8M5M	M90	M50	20	95
SBI-RDM-8M6M	M90	M63	20	95
SBI-RDM-8M7M	M90	M75	20	95

*All Dimensions are in Millimeters(mm)
 *Specific size will be provided on request
 *We provides Reducer Sets includes Reducer + Inner Washer + Locknut

Reducer for Cable Glands -NPT Thread

Material BRASS BS 2874 , CZ121 PB3 ,SS304 -SS316L
 Finished Nickel Plated in Brass,Natural Brass,Electropolished in Steel,Natural Steel



NPT TO METRIC REDUCER

CODE	MALE TRD	FEMALE TRD	THREAD LENGTH	A/F
	A	B	C	
SBI-RDN-0N00M	3/8"	M12	15	20
SBI-RDN-1N00M	1/2"	M12	18	25
SBI-RDN-1N0M	1/2"	M16	18	25
SBI-RDN-2N00M	3/4"	M12	18	30
SBI-RDN-2N0M	3/4"	M16	18	30
SBI-RDN-2N1M	3/4"	M20	18	30
SBI-RDN-3N00M	1"	M12	22	36
SBI-RDN-3N0M	1"	M16	22	36
SBI-RDN-3N1M	1"	M20	22	36
SBI-RDN-3N2M	1"	M25	22	36
SBI-RDN-4N00M	1.1/4"	M12	22	45
SBI-RDN-4N0M	1.1/4"	M16	22	45
SBI-RDN-4N1M	1.1/4"	M20	22	45
SBI-RDN-4M2M	1.1/4"	M25	22	45
SBI-RDN-4M3M	1.1/4"	M32	22	45
SBI-RDN-5N1M	1.1/2"	M20	24	55
SBI-RDN-5M2M	1.1/2"	M25	24	55
SBI-RDN-5M3M	1.1/2"	M32	24	55
SBI-RDN-5M4M	1.1/2"	M40	24	55
SBI-RDN-6M2M	2"	M25	24	68
SBI-RDN-6M3M	2"	M32	24	68
SBI-RDN-6M4M	2"	M40	24	68
SBI-RDN-6M5M	2"	M50	24	68
SBI-RDN-7M3M	2.1/2"	M32	28	80
SBI-RDN-7M4M	2.1/2"	M40	28	80
SBI-RDN-7M5M	2.1/2"	M50	28	80
SBI-RDN-7M6M	2.1/2"	M63	28	95
SBI-RDN-8M4M	3"	M40	28	95
SBI-RDN-8M5M	3"	M50	28	95
SBI-RDN-8M6M	3"	M63	28	95
SBI-RDN-8M7M	3"	M75	28	95
SBI-RDN-9M4M	4"	M40	28	120
SBI-RDN-9M5M	4"	M50	28	120
SBI-RDN-9M6M	4"	M63	28	120
SBI-RDN-9M7M	4"	M75	28	120
SBI-RDN-9M8M	4"	M90	28	120

NPT TO NPT REDUCER

CODE	MALE TRD	FEMALE TRD	THREAD LENGTH	A/F
	A	B	C	
SBI-RDNN-1N0N	1/2"	3/8"	18	25
SBI-RDNN-2N1N	3/4"	1/2"	18	30
SBI-RDNN-3N1N	1"	1/2"	22	36
SBI-RDNN-3N2N	1"	3/4"	22	36
SBI-RDNN-4N1N	1.1/4"	1/2"	22	45
SBI-RDNN-4N2N	1.1/4"	3/4"	22	45
SBI-RDNN-4N3N	1.1/4"	1"	22	45
SBI-RDNN-5N1N	1.1/2"	1/2"	22	55
SBI-RDNN-5N2N	1.1/2"	3/4"	22	55
SBI-RDNN-5N3N	1.1/2"	1"	22	55
SBI-RDNN-5N4N	1.1/2"	1.1/4"	22	55
SBI-RDNN-6N2N	2"	3/4"	24	68
SBI-RDNN-6N3N	2"	1"	24	68
SBI-RDNN-6N4N	2"	1.1/4"	24	68
SBI-RDNN-6N5N	2"	1.1/2"	24	68
SBI-RDNN-7N2N	2.1/2"	3/4"	24	80
SBI-RDNN-7N3N	2.1/2"	1"	24	80
SBI-RDNN-7N4N	2.1/2"	1.1/4"	24	80
SBI-RDNN-7N5N	2.1/2"	1.1/2"	24	80
SBI-RDNN-7N6N	2.1/2"	2"	24	80
SBI-RDNN-8N4N	3"	1.1/4"	28	95
SBI-RDNN-8N5N	3"	1.1/2"	28	95
SBI-RDNN-8N6N	3"	2"	28	95
SBI-RDNN-8N7N	3"	2.1/2"	28	95
SBI-RDNN-9N5N	4"	1.1/2"	30	120
SBI-RDNN-9N6N	4"	2"	30	120
SBI-RDNN-9N7N	4"	2.1/2"	30	120
SBI-RDNN-9NN	4"	3"	30	120

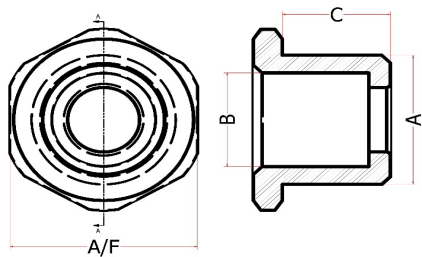
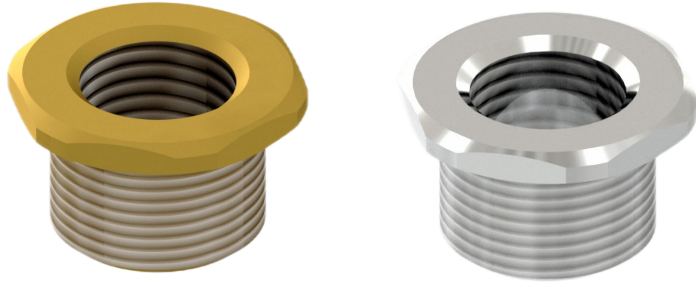
*All Dimensions are in Millimeters(mm)

*Specific size will be provided on request

*We provides Reducer Sets includes Reducer + Inner Washer + Locknut

Reducer for Cable Glands -PG Thread

Material BRASS BS 2874 , CZ121 PB3 ,SS304 -SS316L
 Finished Nickel Plated in Brass,Natural Brass,Electropolished in Steel,Natural Steel



PG TO METRIC HEX REDUCER

CODE	MALE TRD	FEMALE TRD	THREAD LENGTH	A/F
	A	B	C	
SBI-RDPM-00	Pg 11	M16	8	21
SBI-RDPM-001	Pg 13.5	M16	8	24
SBI-RDPM-16P00M	Pg 16	M16	8	24
SBI-RDPM-21P00M	Pg 21	M16	10	30
SBI-RDPM-21P1M	Pg 21	M20	10	30
SBI-RDPM-29P2M	Pg 29	M25	10	38
SBI-RDPM-29P3M	Pg 29	M32	10	38
SBI-RDPM-36P3M	Pg 36	M32	12	50
SBI-RDPM-36P4M	Pg 36	M40	12	50
SBI-RDPM-42P3M	Pg 42	M32	12	55
SBI-RDPM-42P4M	Pg 42	M40	12	55
SBI-RDPM-42P5M	Pg 42	M50	12	55
SBI-RDPM-48P4M	Pg 48	M40	15	64
SBI-RDPM-48P5M	Pg 48	M50	15	64

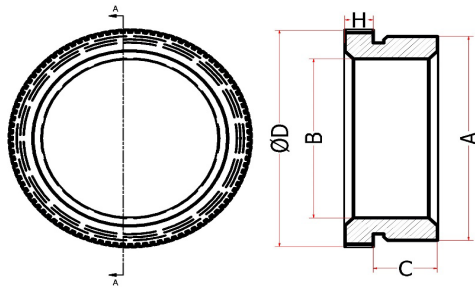
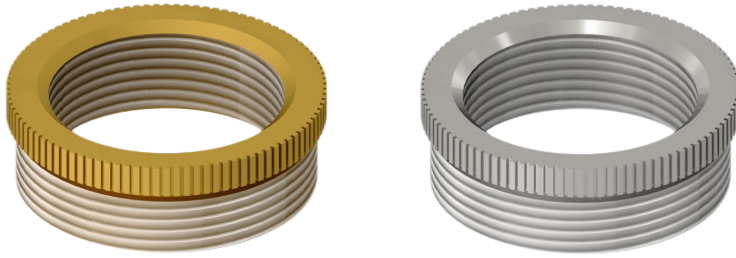
METRIC TO PG HEX REDUCER

CODE	MALE TRD	FEMALE TRD	THREAD LENGTH	A/F
	A	B	C	
SBI-RDMP-00	M16	Pg 7	6	20
SBI-RDMP-1M1P	M20	Pg 7	8	24
SBI-RDMP-1M2P	M20	Pg 9	8	24
SBI-RDMP-1M3P	M20	Pg 11	8	24
SBI-RDMP-2M2P	M25	Pg 9	10	30
SBI-RDMP-2M3P	M25	Pg 11	10	30
SBI-RDMP-2M4P	M25	Pg 13.5	10	30
SBI-RDMP-2M5P	M25	Pg 16	10	30
SBI-RDMP-3M6P	M32	Pg 21	12	38
SBI-RDMP-4M7P	M40	Pg 29	12	45
SBI-RDMP-5M7P	M50	Pg 29	12	55
SBI-RDMP-6M8P	M63	Pg 36	15	70

*All Dimensions are in Millimeters(mm)
 *Specific size will be provided on request
 *We provides Reducer Sets includes Reducer + Inner Washer + Locknut

Reducer Light Knurling for Cable Glands

Material BRASS BS 2874 , CZ121 PB3 ,SS304 -SS316L
 Finished Nickel Plated in Brass,Natural Brass,Electropolished in Steel,Natural Steel



METRIC TO METRIC REDUCER

CODE	MALE TRD	FEMALE TRD	THREAD LENGTH	ØD	H
	A	B	C		
SBI-RDK-M16M12	M16	M12	7	18	3
SBI-RDK-M20M12	M20	M12	8	22	3
SBI-RDK-M20M16	M20	M16	8	22	3
SBI-RDK-M25M16	M25	M16	8	27	3
SBI-RDK-M25M20	M25	M20	8	27	3
SBI-RDK-M32M20	M32	M20	9	34	4
SBI-RDK-M32M25	M32	M25	9	34	4
SBI-RDK-M40M25	M40	M25	9	42	4.5
SBI-RDK-M40M32	M40	M32	9	42	4.5
SBI-RDK-M50M32	M50	M32	10	52	4.5
SBI-RDK-M50M40	M50	M40	10	52	4.5
SBI-RDK-M63M40	M63	M40	11	66	5
SBI-RDK-M63M50	M63	M50	11	66	5

PG TO METRIC REDUCER

CODE	MALE TRD	FEMALE TRD	THREAD LENGTH	ØD	H
	A	B	C		
SBI-RDK-M16M12	PG 11	M16	6	20	10
SBI-RDK-M20M12	PG 16	M20	6	24	11
SBI-RDK-M20M16	PG 21	M20	7.5	30	3.5
SBI-RDK-M25M16	PG 21	M25	7.5	30	11
SBI-RDK-M25M20	PG 29	M25	8	39	4
SBI-RDK-M32M20	PG 29	M32	8	39	4
SBI-RDK-M32M25	PG 36	M40	8	50	4.5

*All Dimensions are in Millimeters(mm)

*Specific size will be provided on request

*We provides Reducer Sets includes Reducer + Inner Washer + Locknut