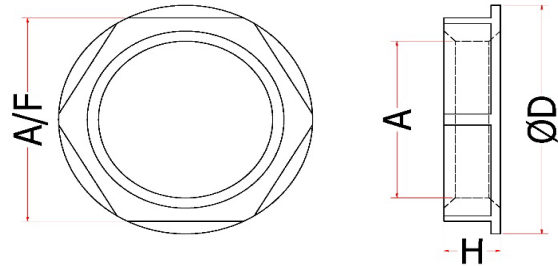


## Locknut For Cable Glands -Collar Type

Material BRASS BS 2874 , CZ121 PB3 ,SS304 -SS316L  
 Finished Nickel Plated in Brass,Natural Brass,Electropolished in Steel,Natural Steel



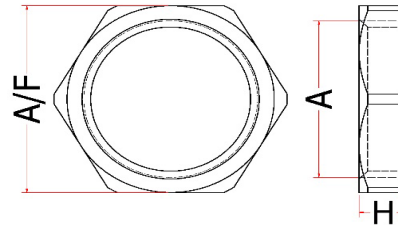
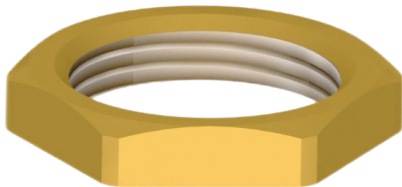
### METRIC LOCK NUT COLLAR TYPE

CODE	A	H	ØD	A/F
SBI-LNC-00M	M12x1.5	5	17	15
SBI-LNC-0M	M16x1.5	6	21	18
SBI-LNC-1M	M20x1.5	6	27	24
SBI-LNC-2M	M25x1.5	6	32	29
SBI-LNC-3M	M32x1.5	6	40	36
SBI-LNC-4M	M40x1.5	8	50	44
SBI-LNC-5M	M50x1.5	8	60	54
SBI-LNC-6M	M63x1.5	10	75	70
SBI-LNC-7M	M75x1.5	10	90	85
SBI-LNC-8M	M90x1.5	12	105	100
SBI-LNC-9M	M100x1.5	12	130	120

### NPT LOCKNUT COLLAR TYPE

CODE	A	H	ØD	A/F
SBI-LNC-0N	3/8"	6	22	19
SBI-LNC-1N	1/2"	6	28	25
SBI-LNC-2N	3/4"	6	33	30
SBI-LNC-3N	1"	6	41	37
SBI-LNC-4N	1.1/4"	8	52	46
SBI-LNC-5N	1.1/2"	8	60	54
SBI-LNC-6N	2"	10	75	70
SBI-LNC-7N	2.1/2"	10	90	85
SBI-LNC-8N	3"	12	105	100
SBI-LNC-9N	4"	12	130	120

## Locknut For Cable Glands



### METRIC LOCK NUT

CODE	A	H	A/F
SBI-LN-0M	M16x1.5	4	20
SBI-LN-1M	M20x1.5	5	24
SBI-LN-2M	M25x1.5	5	30
SBI-LN-3M	M32x1.5	6	36
SBI-LN-4M	M40x1.5	6	46
SBI-LN-5M	M50x1.5	6	56
SBI-LN-6M	M63x1.5	8	70
SBI-LN-7M	M75x1.5	8	85
SBI-LN-8M	M90x1.5	8	100
SBI-LN-9M	M100x1.5	9	120

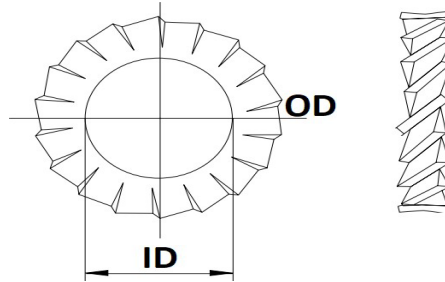
### NPT LOCKNUT

CODE	A	H	A/F
SBI-LN-0N	3/8"	5	20
SBI-LN-1N	1/2"	5	24
SBI-LN-2N	3/4"	6	31
SBI-LN-3N	1"	6	38
SBI-LN-4N	1.1/4"	6	48
SBI-LN-5N	1.1/2"	6	55
SBI-LN-6N	2"	6	70
SBI-LN-7N	2.1/2"	8	85
SBI-LN-8N	3"	8	100
SBI-LN-9N	4"	8	120

\*All Dimensions are in Millimeters(mm)  
 \*Specific size will be provided on request

## Serrated Washer for Cable Glands-Outer teeth

Material BRASS BS 2874 , CZ121 PB3 ,SS304 -SS316L  
 Finished Nickel Plated in Brass,Natural Brass,Electropolished in Steel,Natural Steel



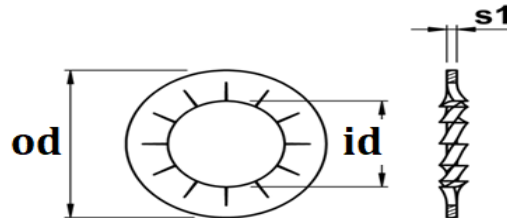
**METRIC SERRATED WASHER -OUTER TEETH**

CODE	SIZE	OD	ID	THICKNESS
SBI-SWO-0M	M16x1.5	27	16	1
SBI-SWO-1M	M20x1.5	33	21.5	1.5
SBI-SWO-2M	M25x1.5	38	25.5	1.5
SBI-SWO-3M	M32x1.5	48	33	1.5
SBI-SWO-4M	M40x1.5	58	40	1.5
SBI-SWO-5M	M50x1.5	66	51	1.5
SBI-SWO-6M	M63x1.5	80	64	1.5
SBI-SWO-7M	M75x1.5	95	76	1.5
SBI-SWO-8M	M90x1.5	110	95	1.5

**NPT SERRATED WASHER -OUTER TEETH**

CODE	SIZE	OD	ID	THICKNESS
SBI-SWO-0N	3/8"	27	16	1
SBI-SWO-1N	1/2"	33	21.5	1.5
SBI-SWO-2N	3/4"	38	25.5	1.5
SBI-SWO-3N	1"	48	33	1.5
SBI-SWO-4N	1.1/4"	58	40	1.5
SBI-SWO-5N	1.1/2"	66	51	1.5
SBI-SWO-6N	2"	80	64	1.5
SBI-SWO-7N	2.1/2"	95	76	1.5
SBI-SWO-8N	3"	110	95	1.5

## Serrated Washer for Cable Glands-Inner teeth



**METRIC SERRATED WASHER -INNER TEETH**

CODE	SIZE	OD	ID	THICKNESS
SBI-SWO-0M	M16x1.5	27	17.5	1
SBI-SWO-1M	M20x1.5	33	21	1.5
SBI-SWO-2M	M25x1.5	38	25.5	1.5
SBI-SWO-3M	M32x1.5	48	33	1.5
SBI-SWO-4M	M40x1.5	58	40	1.5
SBI-SWO-5M	M50x1.5	66	51	1.5
SBI-SWO-6M	M63x1.5	80	64	1.5
SBI-SWO-7M	M75x1.5	95	76	1.5
SBI-SWO-8M	M90x1.5	110	90	1.5

**NPT SERRATED WASHER -INNER TEETH**

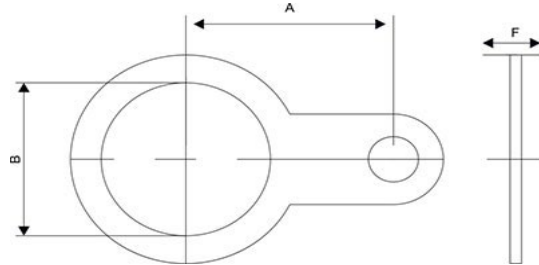
CODE	SIZE	OD	ID	THICKNESS
SBI-SWO-0N	3/8"	27	17.5	1
SBI-SWO-1N	1/2"	33	21	1.5
SBI-SWO-2N	3/4"	38	25.5	1.5
SBI-SWO-3N	1"	48	33	1.5
SBI-SWO-4N	1.1/4"	58	40	1.5
SBI-SWO-5N	1.1/2"	66	51	1.5
SBI-SWO-6N	2"	80	64	1.5
SBI-SWO-7N	2.1/2"	95	76	1.5
SBI-SWO-8N	3"	110	90	1.5

\*All Dimensions are in Millimeters(mm)

## Earth Tag for Cable Gland

Material BRASS BS 2874 , CZ121 PB3 ,SS304 -SS316L

Finished Nickel Plated in Brass,Natural Brass,Electropolished in Steel,



### METRIC EARTH TAG

CODE	SIZE	A	B	F
SBI-ET-0M	M20	27	21	1.5
SBI-ET-1M	M25	33	27	1.5
SBI-ET-2M	M32	36	34	1.5
SBI-ET-3M	M40	44	41	1.5
SBI-ET-4M	M50	50	51	1.5
SBI-ET-5M	M63	65	64	1.5
SBI-ET-6M	M75	58	77	1.5
SBI-ET-7M	M90	71	91	1.5
SBI-ET-8M	M100	81	101	1.5

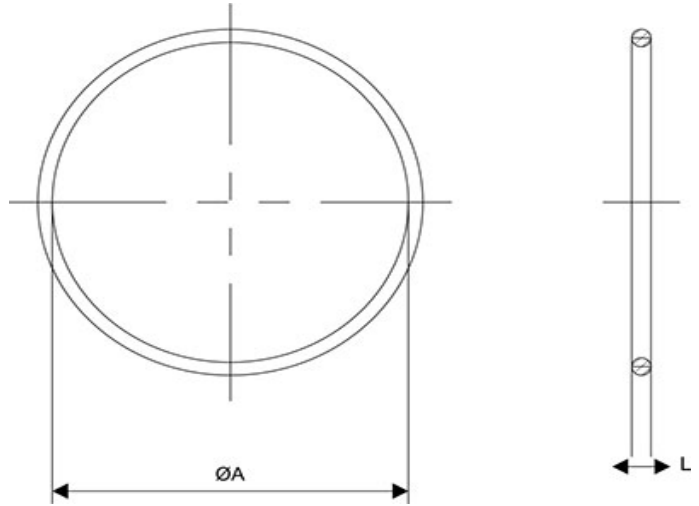
### NPT EARTH TAG

CODE	SIZE	A	B	F
SBI-ET-1N	1/2"	27	22	1.5
SBI-ET-2N	3/4"	33	27	1.5
SBI-ET-3N	1"	36	34	1.5
SBI-ET-4N	1.1/4"	44	43	1.5
SBI-ET-5N	1.1/2"	50	49	1.5
SBI-ET-6N	2"	65	61	1.5
SBI-ET-7N	2.1/2"	58	77	1.5
SBI-ET-8N	3"	71	89	1.5
SBI-ET-9N	4"	81	115	1.5

\*All Dimensions are in Millimeters(mm)

## 'O' Ring For Cable Gland

Material :NBR,EPDM,SILICONE

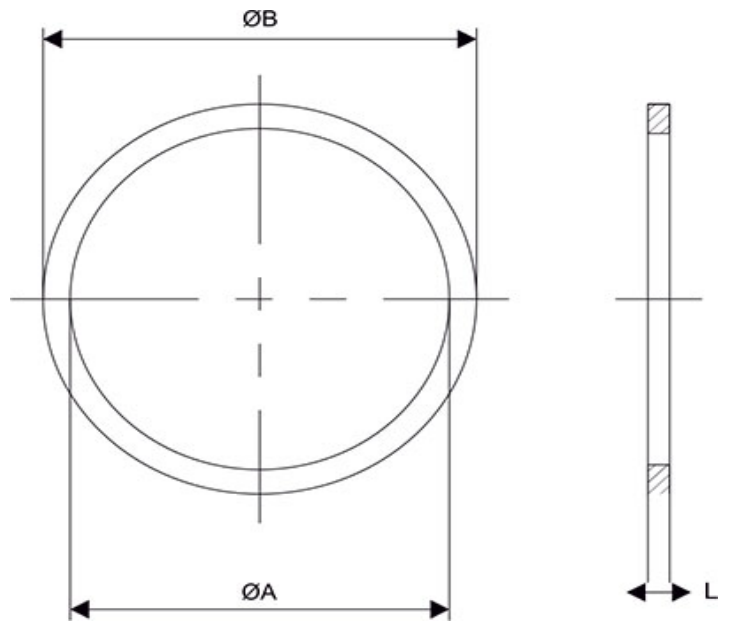


### O - RING

CODE	SIZE	ØA	L
SBI-ORM-0	M12	10	1.5
SBI-ORM-00M	M16	14.5	2.5
SBI-ORM-1M	M20	18.5	2.5
SBI-ORM-2M	M25	23.5	2.5
SBI-ORM-3M	M32	30.5	2.5
SBI-ORM-4M	M40	38.5	2.5
SBI-ORM-5M	M50	48.5	2.5
SBI-ORM-6M	M63	61.5	2.5
SBI-ORM-7M	M75	73.5	2.5
SBI-ORM-8M	M90	88.5	3.5
SBI-ORM-9M	M100	98	3.5

## Entry Thread Seal For Cable Gland

Material :NYLON



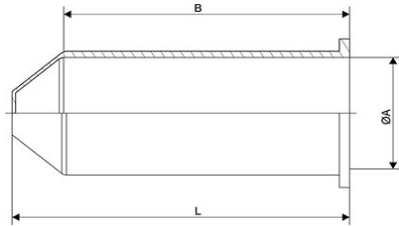
### ENTRY THREAD SEAL

CODE	SIZE	ØA	ØB	L
SBI-ETS-0	M12	12	16	1.5
SBI-ETS-00M	M16	16	25	1.5
SBI-ETS-1M	M20	20	29	1.5
SBI-ETS-2M	M25	25	35	1.5
SBI-ETS-3M	M32	32	42	1.5
SBI-ETS-4M	M40	40	50	1.5
SBI-ETS-5M	M50	50	60	1.5
SBI-ETS-6M	M63	63	73	1.5
SBI-ETS-7M	M75	75	85	1.5
SBI-ETS-8M	M90	90	105	1.5
SBI-ETS-9M	M100	100	125	1.5

\*All Dimensions are in Millimeters(mm)

## Shroud For Cable Glands - Collar Type

Material :DIP-MOULDED PVC SHROUDS & LSF SHROUDS

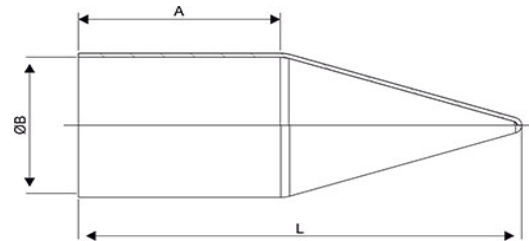


### Shroud -Collar Type

CODE	SIZE	ØA	B	L
SBI-SRD-1M	M20	34	77	95
SBI-SRD-2M	M25	38	75	95
SBI-SRD-3M	M32	48	95	115
SBI-SRD-4M	M40	53	95	115
SBI-SRD-5M	M50	60	95	115
SBI-SRD-6M	M63	70	100	120
SBI-SRD-7M	M75	86	110	130
SBI-SRD-8M	M90	104	130	150
SBI-SRD-9M	M100	128	130	150

## Shroud For Cable Glands

Material :DIP-MOULDED PVC SHROUDS & LSF SHROUDS



CODE	SIZE	A	ØB	L
SBI-SRD-1M1	M20	35	23	80
SBI-SRD-1M2	M20	35	25	80
SBI-SRD-1M3	M20	40	26	90
SBI-SRD-1M4	M20	40	27	90
SBI-SRD-1M5	M20	40	30	85
SBI-SRD-2M1	M25	45	33	100
SBI-SRD-2M2	M25	55	35	115
SBI-SRD-2M3	M25	40	38	100
SBI-SRD-3M1	M32	50	43	105
SBI-SRD-3M2	M32	50	46	110
SBI-SRD-3M3	M32	55	48	115
SBI-SRD-4M1	M40	50	53	105
SBI-SRD-4M2	M40	55	55	120
SBI-SRD-4M3	M40	55	58	125
SBI-SRD-5M1	M50	60	64	135
SBI-SRD-5M2	M50	70	68	160
SBI-SRD-6M1	M63	85	79	170
SBI-SRD-6M2	M63	70	82	150
SBI-SRD-6M3	M63	80	85	170
SBI-SRD-7M1	M75	70	95	170
SBI-SRD-7M2	M75	100	103	205
SBI-SRD-7M3	M75	80	99	200

\*All Dimensions are in Millimeters(mm)

\*Specific size will be provided on request